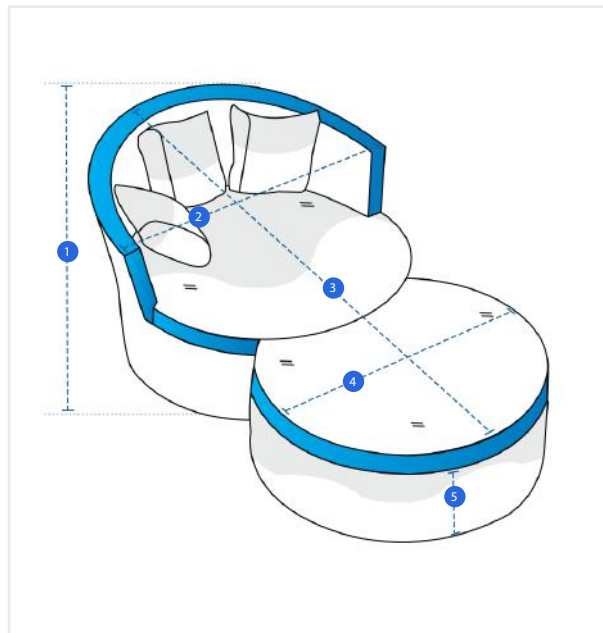


How to Measure Outdoor Daybed Covers - Design 5

Measurement Instruction

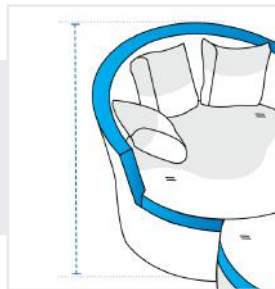
- ✓ Give exact measurement from edge to edge.
- ✓ We add 1" to 2" leeway on the given width/depth for easy pull-in and pull-out.
- ✓ The height dimensions will remain same as provided by you.



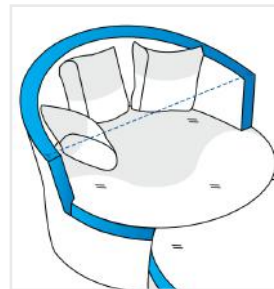
Measurement (Inches)

1. Height	<input type="text"/>	2. Width #1	<input type="text"/>
3. Depth	<input type="text"/>	4. Width #2	<input type="text"/>
5. Front Height	<input type="text"/>		

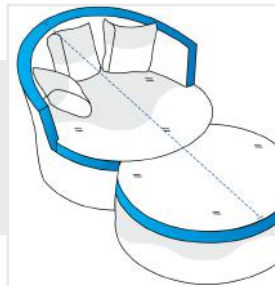
1. Height:
Height of the Outdoor Daybed



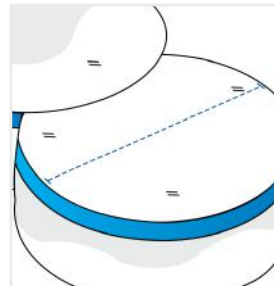
2. Width #1:
Width (Side #1)



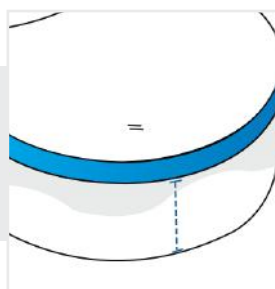
3. Depth:
Depth of the Outdoor Daybed



4. Width #2:
Width (Side #2)



5. Front Height:
Front Height of the Outdoor Daybed



We encourage you to upload the image of the article you need the cover for - this helps our team ensure covers are designed keeping your requirements in mind.