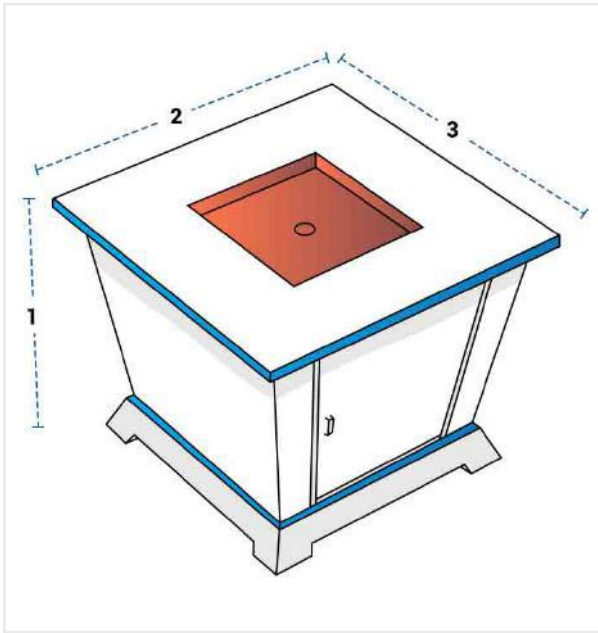


# How to Measure Fire Column Covers - Design 9

## Measurement Instruction

- ✓ Give exact measurement from edge to edge.
- ✓ "We add upto 2" leeway on the given width/depth for easy pull-in and pull-out."
- ✓ The height dimensions will remain same as provided by you.



### Measurement (Inches)

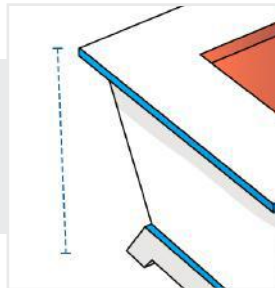
1. Height

2. Width

3. Depth

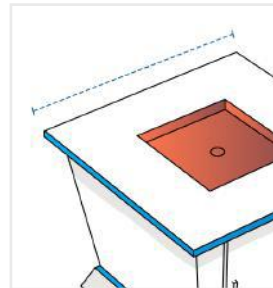
### 1. Height:

Height of the Fire Column



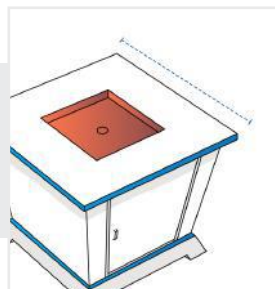
### 2. Width:

Width of the Fire Column



### 3. Depth:

Depth of the Fire Column



We encourage you to upload the image of the article you need the cover for - this helps our team ensure covers are designed keeping your requirements in mind.