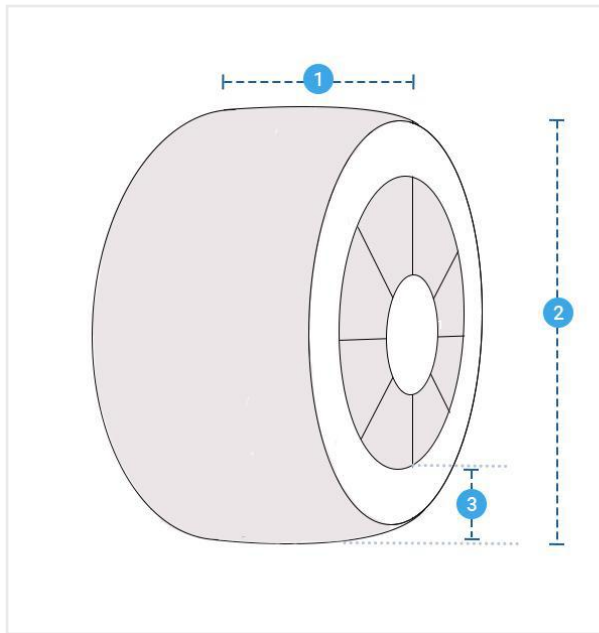


How to Measure Custom Spare Tire Cover

Measurement Instruction

- ✓ Give exact measurement from edge to edge.
- ✓ We add 1" to 2" leeway on the given width/depth for easy pull-in and pull-out.
- ✓ The height dimensions will remain same as provided by you.
- ✓ All measurements will be done in inches.



Measurement (Inches)

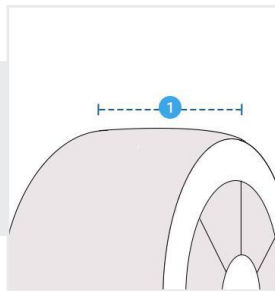
1. Thickness

2. Diameter of Tire

3. Sidewall Height

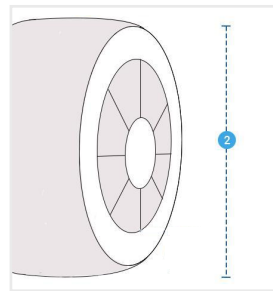
1. Thickness:

Thickness of Spare Tire Covers



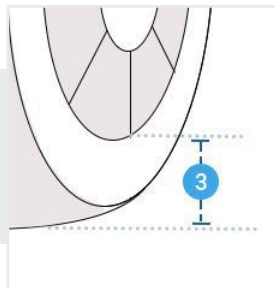
2. Diameter of Tire :

Diameter of Tire of Spare Tire Covers



3. Sidewall Height:

Sidewall Height of Spare Tire Covers



We encourage you to upload the image of the article you need the cover for - this helps our team ensure covers are designed keeping your requirements in mind.