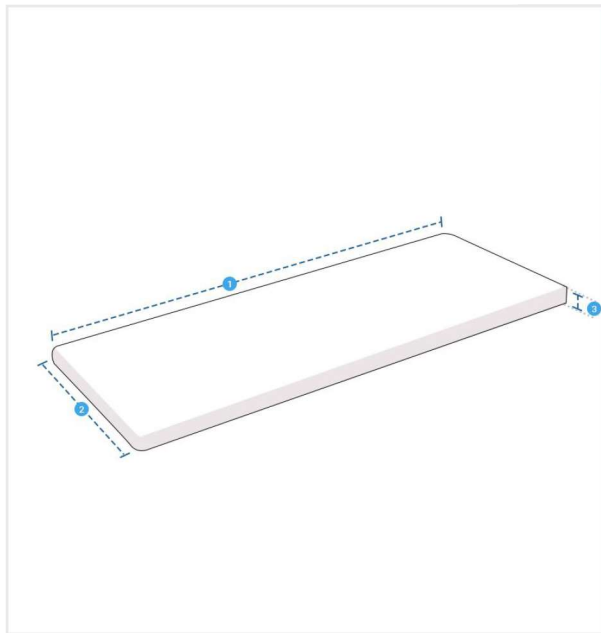


How to Measure Custom Outdoor Mattress Cover

Measurement Instruction

- ✓ Give exact measurement from edge to edge.
- ✓ We add 0" to -1" size variance on the given width/length for perfect fit.
- ✓ The height dimensions will remain same as provided by you.
- ✓ All measurements will be done in inches.



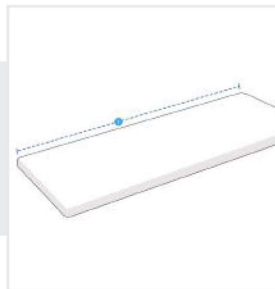
Measurement (Inches)

1. Length

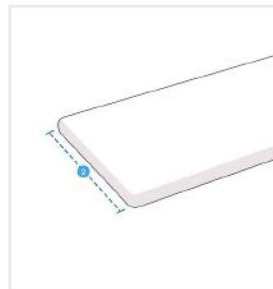
2. Width

3. Height

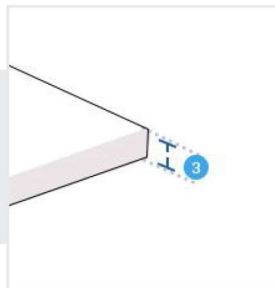
1. Length:
Length of Mattress



2. Width:
Width of Mattress



3. Height:
Height of Mattress



We encourage you to upload the image of the article you need the cover for - this helps our team ensure covers are designed keeping your requirements in mind.