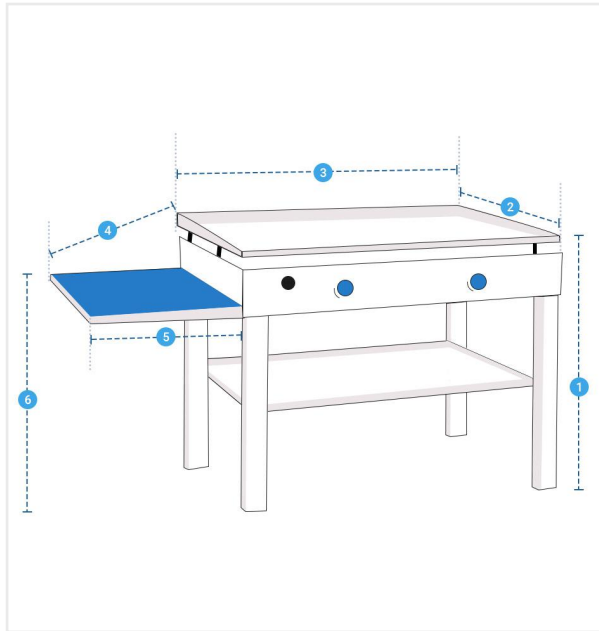


How to Measure Custom Griddle Covers - Design 1

Measurement Instruction

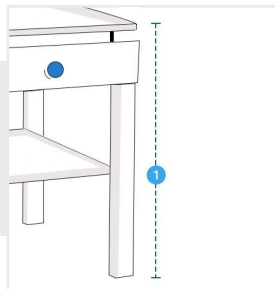
- ✓ Give exact measurement from edge to edge.
- ✓ We add 1" to 2" leeway on the given width/depth for easy pull-in and pull-out.
- ✓ The height dimensions will remain same as provided by you.
- ✓ All measurements will be done in inches.



Measurement (Inches)

- | | | | |
|---------------------|----------------------|---|----------------------|
| 1. Total height | <input type="text"/> | 2. Depth of Griddle | <input type="text"/> |
| 3. Width of Griddle | <input type="text"/> | 4. Angle Distance from top of Griddle to outside of shelf | <input type="text"/> |
| 5. Width of Shelf | <input type="text"/> | 6. Height (Shelf to Ground) | <input type="text"/> |

1. Total height:
Total height of Griddle



2. Depth:
Depth of Griddle



3. Width:
Width of Griddle



4. Angle Distance from top to outside of shelf:
Angle Distance from top to outside of shelf of Griddle



We encourage you to upload the image of the article you need the cover for - this helps our team ensure covers are designed keeping your requirements in mind.

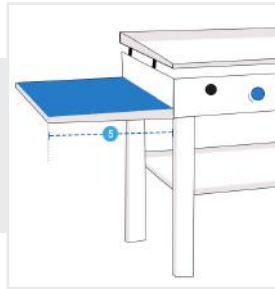
How to Measure Custom Griddle Covers - Design 1

Measurement Instruction

- ✓ Give exact measurement from edge to edge.
- ✓ We add 1" to 2" leeway on the given width/depth for easy pull-in and pull-out.
- ✓ The height dimensions will remain same as provided by you.
- ✓ All measurements will be done in inches.

5. Width of Shelf:

Width of shelf of the Griddle



6. Height (Shelf to Shelf):

Height (Shelf to Shelf) of the Griddle



We encourage you to upload the image of the article you need the cover for - this helps our team ensure covers are designed keeping your requirements in mind.