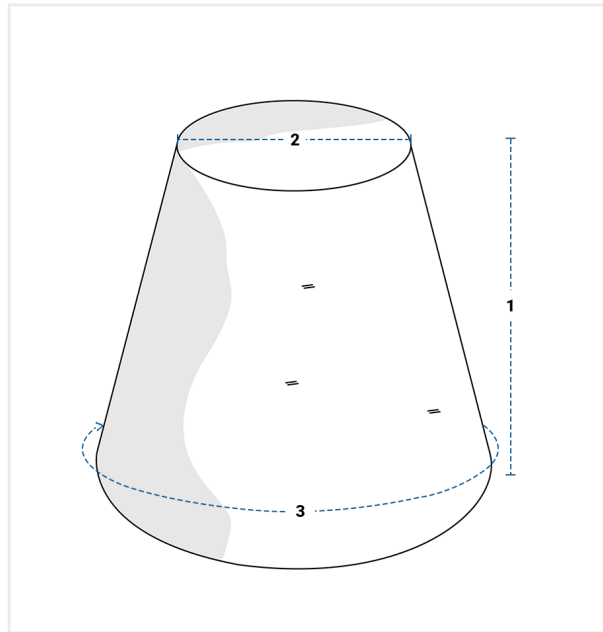


How to Measure Custom Covers - Design 22

Measurement Instruction

- ✓ Give exact measurement from edge to edge.
- ✓ We add 0.5" to 1.5" leeway on the given width/depth for easy pull-in and pull-out.
- ✓ The height dimensions will remain same as provided by you.



Measurement (Inches)

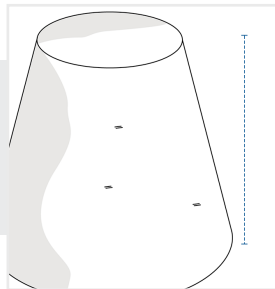
1. Height

2. Top Diameter

3. Bottom Circumference

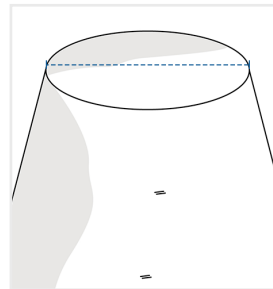
1. Height:

Height of the Outdoor Daybed



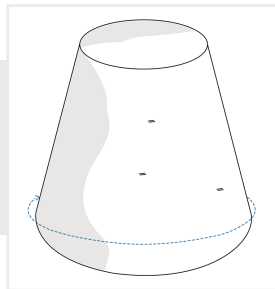
2. Top Diameter:

Top Diameter of the Custom Cover



3. Bottom Circumference:

Bottom Circumference of the Custom Cover



We encourage you to upload the image of the article you need the cover for - this helps our team ensure covers are designed keeping your requirements in mind.