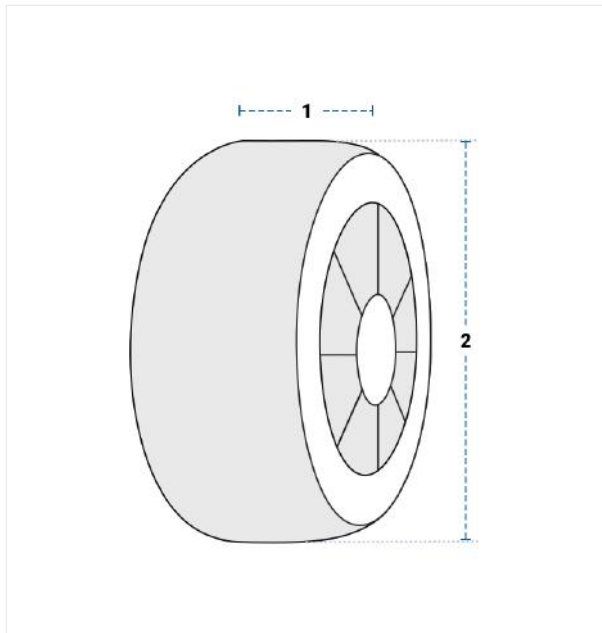


How to Measure Custom Spare Tire Covers

Measurement Instruction

- ✓ Give exact measurement from edge to edge.
- ✓ We add 1" to 2" leeway on the given width/depth for easy pull-in and pull-out.
- ✓ Sidewall Height of 2" will be included by default for perfect fit.
- ✓ All measurements will be done in inches.

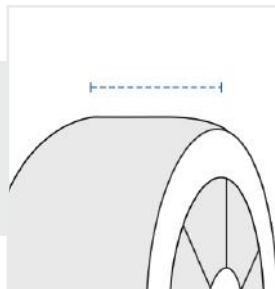


Measurement (Inches)

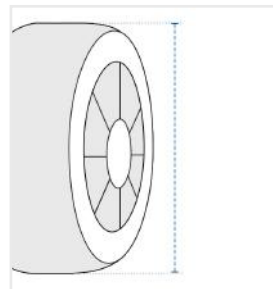
1. Thickness

2. Diameter

1. Thickness :
Thickness of the
Custom Spare Tire Covers



2. Diameter :
Diameter of the
Custom Spare Tire Covers



We encourage you to upload the image of the article you need the cover for - this helps our team ensure covers are designed keeping your requirements in mind.