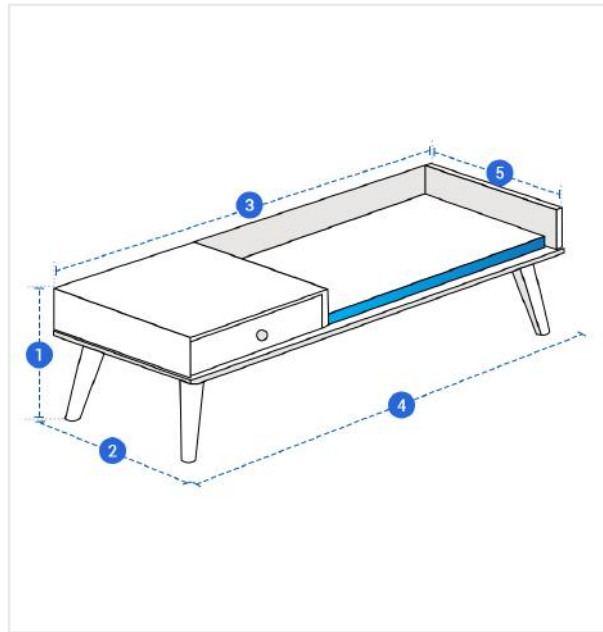


How to Measure Custom Bench Covers - Design 8

Measurement Instruction

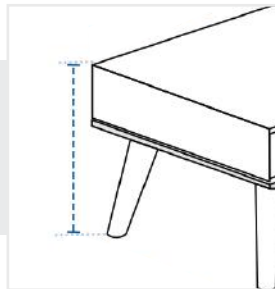
- ✓ Give exact measurement from edge to edge.
- ✓ We add 0.5" to 1.5" leeway on the given width/depth for easy pull-in and pull-out.
- ✓ The height dimensions will remain same as provided by you.



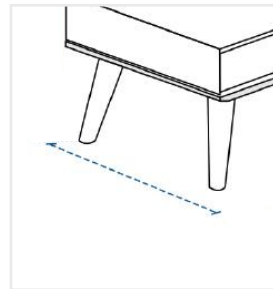
Measurement (Inches)

1. Height	<input type="text"/>	2. Bottom Depth	<input type="text"/>
3. Top Width	<input type="text"/>	4. Bottom Width	<input type="text"/>
5. Top Depth	<input type="text"/>		

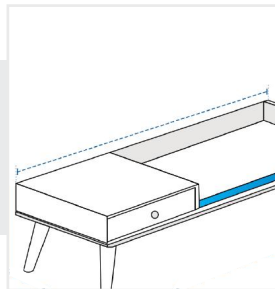
1. Height:
Height of the Custom Bench



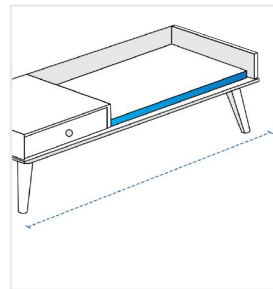
2. Bottom Depth:
Bottom Depth of the Custom Bench



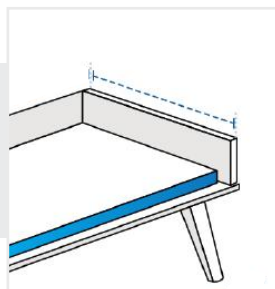
3. Top Width:
Top Width of the Custom Bench



4. Bottom Width:
Bottom Width of the Custom Bench



5. Top Depth:
Top Depth of the Custom Bench



We encourage you to upload the image of the article you need the cover for - this helps our team ensure covers are designed keeping your requirements in mind.