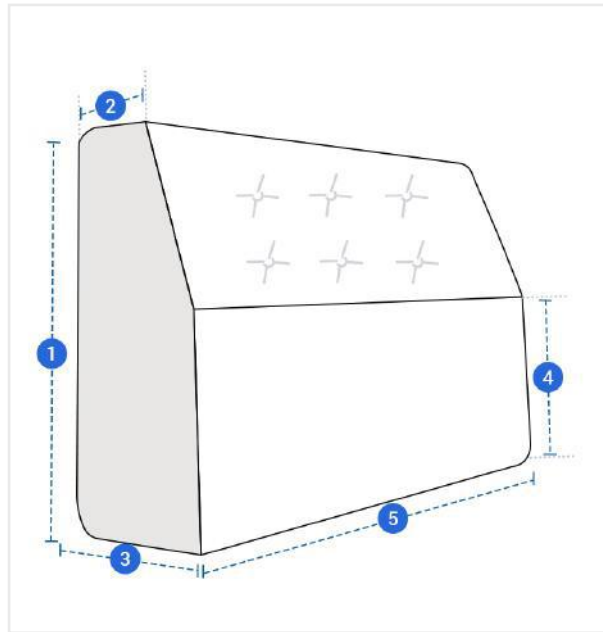


# How to Measure Clipped Bolster Cushion Cover

## Measurement Instruction

- ✓ Give exact measurement from edge to edge.
- ✓ We add 0" to -1" size variance on the given width/depth for perfect fit.
- ✓ The height dimensions will remain same as provided by you.



### Measurement (Inches)

1. Back Height

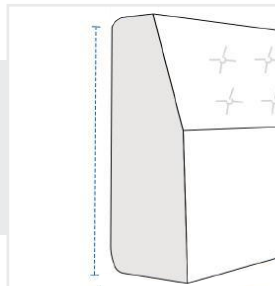
3. Bottom Width

5. Length

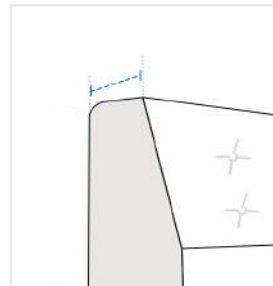
2. Top Width

4. Front Height

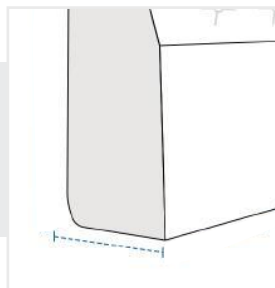
**1. Back Height:**  
Back Height of the Clipped Bolster Cushion



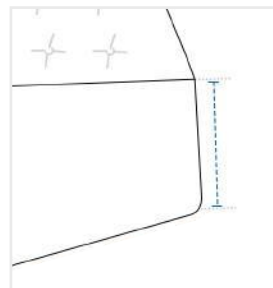
**2. Top Width:**  
Top Width of the Clipped Bolster Cushion



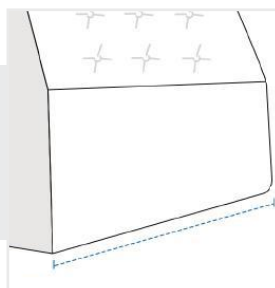
**3. Bottom Width:**  
Bottom Width of the Clipped Bolster Cushion



**4. Front Height:**  
Front Height of the Clipped Bolster Cushion



**5. Length:**  
Length of the Clipped Bolster Cushion



We encourage you to upload the image of the article you need the cover for - this helps our team ensure covers are designed keeping your requirements in mind.